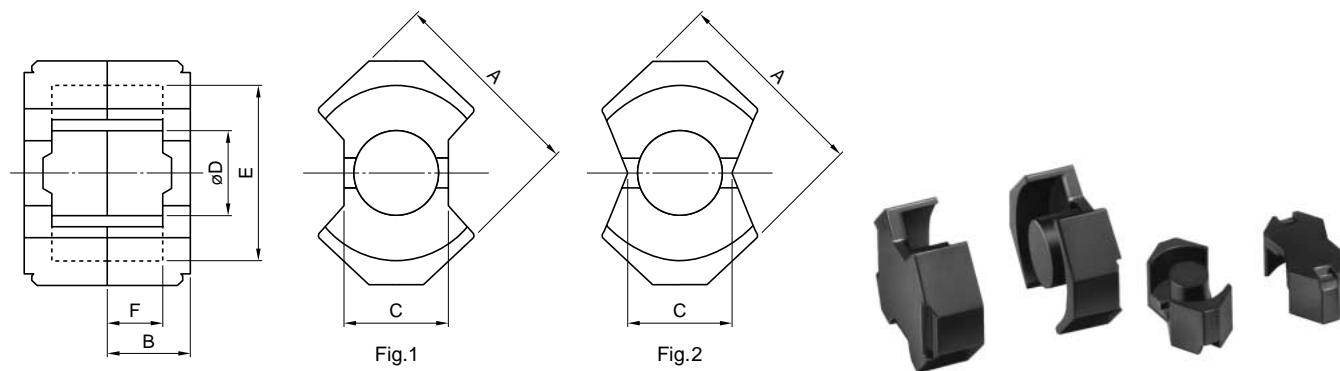


形状・寸法 / 特性

Shapes and dimensions/Characteristics



形状 Type	通称 Alias	寸法 Dimensions(mm)								Fig
		A	2B	B	C	øD	E	2F min.	F	
EERM-4A	RM4	9.60±0.20	10.4	5.20±0.05	4.40±0.20	3.80±0.10	8.15±0.20	6.9	3.60±0.10	1
EERM-5A	RM5	12.05±0.25	10.4	5.20±0.05	6.60±0.20	4.80±0.10	10.4±0.2	6.3	3.25±0.10	1
EERM-6B	RM6	14.4±0.3	12.4	6.20±0.05	7.90±0.30	6.25±0.15	12.65±0.25	8.0	4.10±0.10	2
EERM-8A	RM8	19.3±0.4	16.4	8.20±0.10	10.5±0.5	8.40±0.15	17.35±0.35	10.76	5.53±0.15	1
EERM-10A	RM10	24.15±0.55	18.6	9.30±0.10	12.9±0.6	10.7±0.2	21.65±0.45	12.4	6.35±0.15	1
EERM-12A	RM12	29.25±0.55	23.4	11.7±0.2	15.5±0.8	12.55±0.25	25.5±0.5	16.8	8.55±0.15	1
EERM-14A	RM14	34.1±0.6	28.9	14.45±0.1	18.0±1.0	14.7±0.3	29.6±0.6	20.8	10.55±0.15	1

形状 Type	通称 Alias	AL value(nH/N <sup>2</sup> )±25%					コア定数 Core parameters					Weight (g/set)
		MB3	MB4	MA055*1	MA100*1,*2	MA150*1,*2	C <sub>i</sub> (mm <sup>-1</sup> )	Le(mm)	Ae(mm <sup>2</sup> )	Amin(mm <sup>2</sup> )	Ve(mm <sup>3</sup> )	
EERM-4A	RM4	1190	1190	1810	3920min.	5210min.	1.67	22.9	13.7	11.3	314	1.8
EERM-5A	RM5	1950	1950	2890	6750min.	8950min.	0.961	22.5	23.5	18.1	529	3.3
EERM-6B	RM6	2460	2460	3770	8470min.	11400min.	0.810	28.8	35.6	30.7	1030	5.6
EERM-8A	RM8	3480	3480	5540	11800min.	16200min.	0.615	38.5	62.5	55.4	2400	13.1
EERM-10A	RM10	4820	4820	7830	16200min.	22500min.	0.460	45.1	98.0	89.9	4420	23.7
EERM-12A	RM12	5790	5790	9720	19000min.	26800min.	0.403	55.7	138	124	7690	45.0
EERM-14A	RM14	6590	6590	11400	21200min.	30100min.	0.371	69.1	186	170	12900	71.5

\*1See page 26 for material characteristics.

\*2Mirror like surface lapping.